



THERMASYS TUBING

TUBE DIMENSION LIST

BRASS AND ALUMINUM TUBES

WELCOME TO THERMASYS TUBING!

Thermasys Tubing produces and supplies high-frequency seam-welded brass and aluminum tubing products to users of welded tubing and specializing in tubing for heat exchanger manufacturers around the world. We specialize in serving the automotive, industrial, on- and off-highway equipment, power & energy, oil & gas, and HVAC markets.

From the first blueprints to prototypes to production, we work with you side by side to ensure the success of your end-product. We can deliver more than 300 standard pre-tooled profiles which can provide huge start-up cost savings. If an existing profile is not what you need, our highly-experienced engineers can create a custom tooling set that will help to give you the best solution.

If you're ready to talk about your next project, get in touch:
sales@thermasystubing.com, www.thermasystubing.com



**THERMASYS TUBING DORTMUND,
GERMANY (ARUP GMBH)**



OUR PRODUCTS:

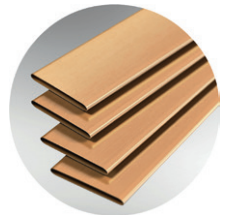
ALUMINUM RADIATOR TUBES

- Profiles from 12 mm to 52 mm in tube height
- Multiple-chambered, dimpled, and end-free capabilities
- Metal strip gauges as thin as 0.25 mm
- A wide array of aluminum alloys available



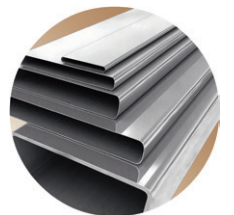
BRASS RADIATOR TUBES

- Profiles from 9 mm to 22 mm in tube height
- Metal strip gauges as thin as 0.127 mm
- Available uncoated or coated with both leaded and lead-free solder
- A wide array of brass alloys available, including the industry standard 85/15, 70/30, 65/35, and cupro-braze, with corrosive resistance inhibitors



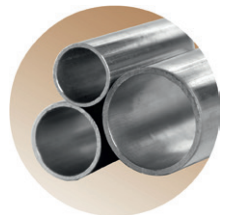
ALUMINUM CHARGE AIR COOLER TUBES

- Profiles from 25 mm to 94 mm in tube height
- Metal strip gauges as thin as 0.30 mm

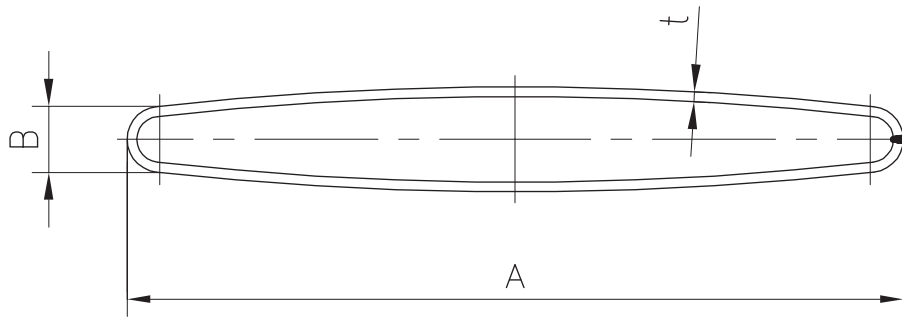


ROUND TUBES

- Available in a variety of sizes for HVAC, industrial, condenser applications and battery cooling
- A wide array of Aluminum, Copper & Brass alloys available
- High-strength materials available for high-pressure applications



FLAT-OVAL ALUMINUM RADIATOR TUBES



A	B	t	Dimple	End free
12	1.72	0.3		
12	1.93	0.32		
13.4	2.4	0.4	3/2	x
13.6	2.5	0.35		
14	1.6	0.25	2/1	x
14	2	0.3		
14	2.97	0.26		
14.55	2	0.32		
16	1.4	0.3		
16	1.7	0.26		
16	1.8	0.32		
16	2	0.26		
16.17	1.8	0.3		
16.4	1.72	0.3		
18	1.6	0.5		
18	2	0.26 0.3 0.32		
18	2.05	0.4		
18.95	2	0.36		
19	2	0.32 0.38		
19	2.5	0.28 0.32		

ALUMINUM RADIATOR TUBES

- Profiles from 12 mm to 52 mm in tube height
- Multiple-chambered, dimpled, and end-free capabilities
- Metal strip gauges as thin as 0.25 mm
- A wide array of aluminum alloys available

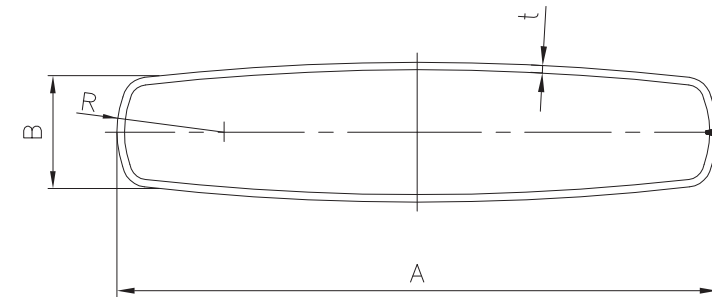
A	B	t	Dimple	End free
19	2.97	0.26		
20	2	0.32 0.4		
21	1.4	0.32		
22	1.8	0.32		
22	2	0.3 0.32		
22	2.05	0.32 0.4		
22.9	1.9	0.28 0.32		
23.45	2	0.26 0.3 0.32 0.4		
23.5	1.9	0.35		
23.52	2	0.3		
24	2.03	0.32		
24	2.2	0.38	5/5	
24	2.2	0.35 0.38		
25.4	1.72	0.3	6/5	
25.4	1.8	0.3		
25.69	1.99	0.32	6/5	
26	1.3	0.3		
26	1.4	0.3		
26	1.5	0.26 0.3		
26	1.6	0.26	6/5	x
26	1.7	0.26 0.3		
26	1.7	0.26 0.3	6/5	x
26	1.8	0.3 0.32 0.4 0.5		
26	1.8	0.3 0.4	6/5	x



FLAT-OVAL ALUMINUM RADIATOR TUBES

A	B	t	Dimple	End free
26	2	0.33 0.38 0.4 0.5		
26	2	0.26 0.3 0.4	6/5	x
26	2.05	0.32 0.4		
28	1.8	0.3		
30	2.05	0.4		
30	2.5	0.4		
31.57	2.5	0.33	6/5	
31,5	1.93	0.4	6/5	
31.75	1.93	0.33	6/5	
32	1.6	0.3		
32	1.6	0.3 0.32	6/5	x
32	1.8	0.3		
32	1.8	0.3	6/5	x
32	1.85	0.3 0.32		
32	1.98	0.33 0.4 0.51		
32	1.98	0.4		
32	2	0.3 0.32		
32	2	0.38 0.4		
32	2.05	0.3 0.32 0.35		
32.14	1.76	0.33	6/5	
34	1.8	0.32 0.33		
34	2.05	0.3		
38.2	1.98	0.4		
40	2	0.32		
40	2.05	0.36		
40.05	2.42	0.4		
42	2	0.35		
42	2.02	0.35		

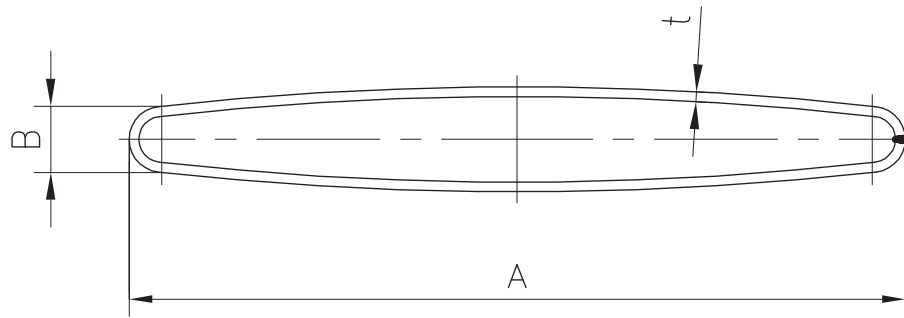
RECTANGULAR ALUMINUM AIR/OIL TUBES - HALF-ROUND



A	B	t
25	8	0.4
40	8	0.4 0.5
41.3	10.97	0.63
50	8	0.4 0.5
51.9	9.91	0.63
52	8	0.4 0.5
56.1	10.97	0.5 0.63
62	8	0.4 0.5
69.88	9.91	0.63
70.1	10.91	0.63
74	8	0.4 0.5



FLAT-OVAL BRASS TUBES



A	B	t	Dimple Pattern
12.20	2.50	0.152	
12.57	2.86	0.152	
12.65	1.85	0.152	
13.09	2.98	0.152 0.228	
13.09	2.98	0.203	3/3
13.14	2.97	0.152 0.203 0.228	
13.23	2.44	0.188 0.228	
13.35	2.57	0.127	
13.40	2.39	0.152 0.203 0.228 0.432	
13.40	2.39	0.152 0.178 0.203	3/3
13.46	2.39	0.127 0.152 0.178 0.203 0.228 0.305	
13.50	2.45	0.127 0.165 0.30	
15.85	1.98	0.178	4/3
15.90	1.88	0.178 0.203	4/3
15.90	1.88	0.152 0.178 0.203	
15.90	1.93	0.178	4/3

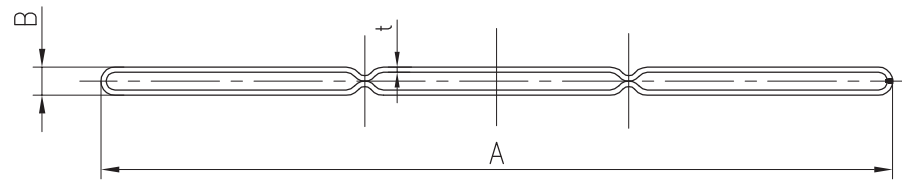
BRASS TUBES

Optional with outside Sn25Pb75 and Sn97Cu3 lead-free solder coating. All brass tube profiles offered with Dimples (low flow) in material thickness range 0.152 - 0.228.

A	B	t	Dimple Pattern
15.88	1.93	0.152 0.178 0.203	
15.88	1.98	0.178 0.228	2/1
15.88	1.8	0.178 0.203 0.228	4/3
15.90	2.00	0.152 0.203	
16.05	2.17	0.152	
18.35	3.35	0.203 0.225 0.254 0.305 0.406 0.445	
18.44	2.97	0.203	
18.67	4.01	0.178 0.203	
18.83	2.31	0.178 0.203 0.228 0.254	
18.83	2.31	0.178 0.203	4/3
18.92	2.40	0.234	
22.99	1.98	0.228	4/4



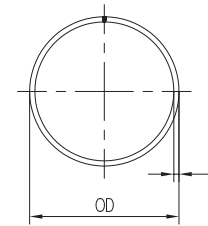
MULTI-CHAMBERED FLAT-OVAL ALUMINUM TUBES



A	B	t	2 Cha.	3 Cha.	Dimple	End free
26	1.7	0.3	x			x
26	1.8	0.3 0.4	x			x
32	2.05	0.32	x			x
34	1.8	0.26 0.32	x			x
34	2.05	0.26	x			x
35	1.5	0.3	x			x
40	2.05	0.32 0.4	x			x
40	2.05	0.36 0.4	x		x	x
40	2.05	0.4	x			x
42	2.02	0.35	x		x	x
42	2.02	0.35	x			x
48	2.05	0.35	x			x
52	1.85	0.4	x		x	x
52	1.85	0.4		x		x
52	1.85	0.4		x	x	x

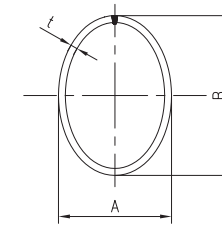
Multi-chambered tubes optional with flux paste „ALUMASIL FX-12A-Cs“.

ROUND ALUMINUM OIL/MANIFOLD TUBES



OD	t
10	1
15.88	1.2
16	1
17	1 1.2
19	1.3 1.5
20	1 1.2 1.5
22	1.3 1.5
22.2	1.28 1.3
24	1 1.5
25	1 1.5
27	1.2 1.5
30	1
30.16	1.3 1.55
31.75	1.5
32	1
37.6	2
40	1.5

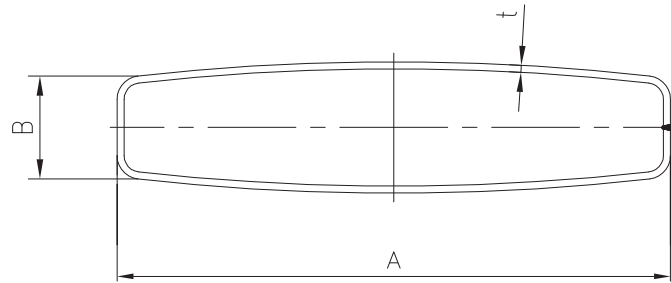
OVAL ALUMINUM TUBES (SPECIAL APPLICATION)



A	B	t
18.45	8.45	1.25
29	20.5	1.5
31.2	17.2	1.5



RECTANGULAR ALUMINUM AIR/OIL TUBES - FLAT



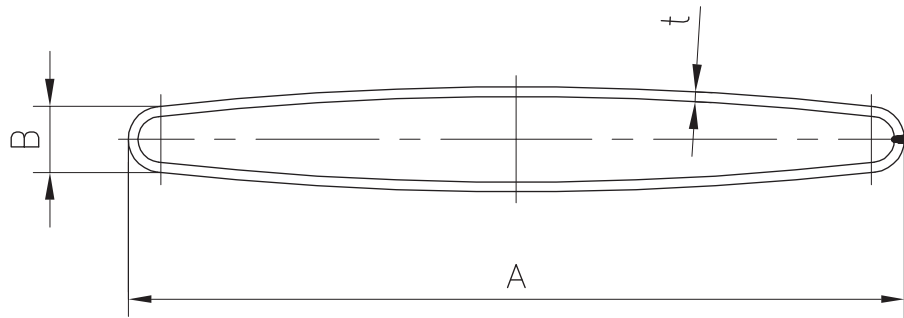
A	B	t
26	7.88	0.4
32	7.88	0.4
34.9	7.75	0.48
38	10.2	0.51
41.27	10.97	0.5
42.27	10.97	0.5
49.9	9.92	0.4 0.48
50	8.08	0.5 0.51
51.94	9.91	0.63
56.14	10.97	0.5
57	10.18	0.4 0.51
61.87	9.92	0.4
63	10	0.5
64	8.08	0.4 0.5 0.6
67.95	8.58	0.5
69.88	9.91	0.63
70	7.3	0.4
70	8	0.4

RECTANGULAR ALUMINUM AIR/OIL TUBES - FLAT

A	B	t
70.11	10.97	0.5
72.6	10.2	0.51
74	8	0.4
76	8.08	0.5 0.6
80	7.88	0.4
85	10	0.4 0.5
90	7.5	0.4 0.5
93.87	7.85	0.4



FLAT-OVAL ALUMINUM AIR/OIL TUBES



A	B	t
15.77	3.9	0.5
25.4	3.1	0.33
29.65	4.25	0.5
29.8	10.2	0.51
30	4	0.6
31.15	3.1	0.33
40	6	0.4
42	3.1	0.33
44.9	4	0.5
45	4	0.5 0.6
49.5	6.5	0.5
50	6	0.4
50	8.03	0.5
50	8.08	0.5
57.1	10.2	0.5
60	4	0.5
61.5	6.5	0.5
62.2	6	0.4

FLAT-OVAL ALUMINUM AIR/OIL TUBES

A	B	t
63	4.3	0.6
68	8.6	0.5
70	6	0.4
72.6	7.8	0.5 0.6



NOTES

NOTES



Thermasys Tubing | ARUP GmbH

sales@thermasystubing.com

www.thermasystubing.com

Breisenbachstrasse 87
44357 Dortmund - Germany

Phone: + 49 (0) 231 9920 102

Fax: + 49 (0) 231 99 20100

